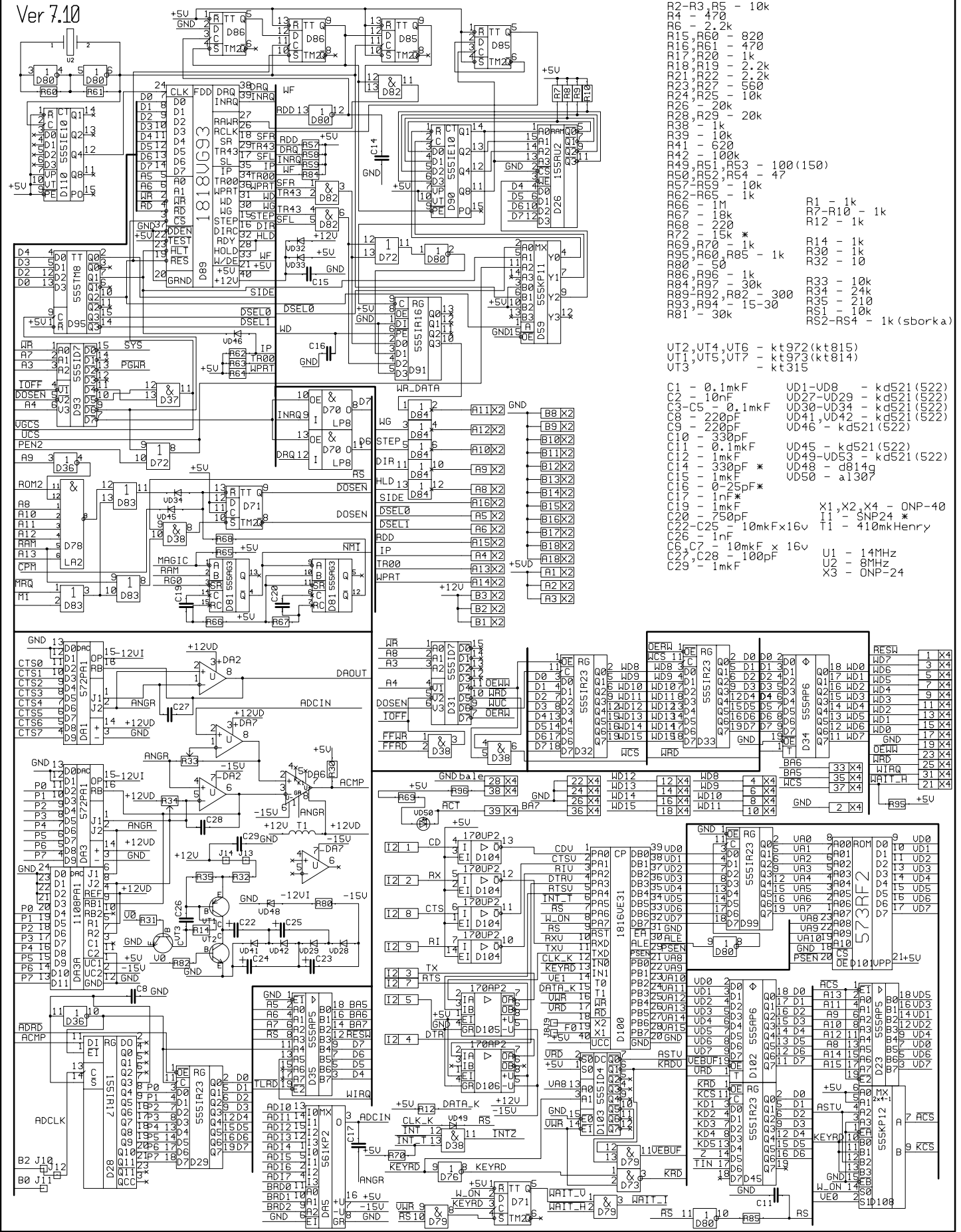


Ver 7.10



- R2-R3, R5 - 10k
- R4 - 470
- R6 - 2,2k
- R15, R60 - 820
- R17, R61 - 470
- R18, R62 - 1k
- R21, R22 - 2,2k
- R23, R24 - 560
- R25 - 10k
- R26, R27 - 20k
- R28, R29 - 20k
- R38 - 1k
- R39 - 10k
- R41 - 620
- R42 - 100k
- R49, R51, R53 - 100 (150)
- R50, R52, R54 - 47
- R57, R59 - 1k
- R62, R65 - 1k
- R69 - 1M
- R69, R70 - 1k
- R95, R60, R85 - 1k
- R80 - 50
- R86, R96 - 1k
- R84, R97 - 30k
- R89, R92, R82 - 300
- R93, R94 - 15-30
- R81 - 30k
- R1 - 1k
- R7-R10 - 1k
- R12 - 1k
- R14 - 1k
- R30 - 1k
- R32 - 10
- R33 - 10k
- R34 - 24k
- R35 - 210
- R51 - 10k
- R52-R54 - 1k (sborka)

- UT2, UT4, UT6 - kt972 (kt815)
- UT1, UT5, UT7 - kt973 (kt814)
- UT3 - kt315
- C1 - 0,1mF
- C2 - 10mF
- C3-C5 - 0,1mF
- C6 - 220pF
- C9 - 220pF
- C10 - 330pF
- C11 - 0,1mF
- C12 - 1mF
- C14 - 330pF \*
- C15 - 1mF
- C16 - 0-25pF\*
- C17 - 1nF\*
- C19 - 1mF
- C20 - 50pF
- C22-C25 - 10mF x 16v
- C26 - 1nF
- C6, C7 - 10mF x 16v
- C2, C8 - 100pF
- C29 - 1mF
- UD1-UD8 - kd521 (522)
- UD27-UD29 - kd521 (522)
- UD30-UD34 - kd521 (522)
- UD41, UD42 - kd521 (522)
- UD46 - kd521 (522)
- UD45 - kd521 (522)
- UD49-UD53 - kd521 (522)
- UD48 - d814g
- UD50 - a1307
- X1, X2, X4 - ONP-40
- T1 - SNP24 \*
- T1 - 410mHenry
- U1 - 14MHz
- U2 - 8MHz
- U3 - ONP-24