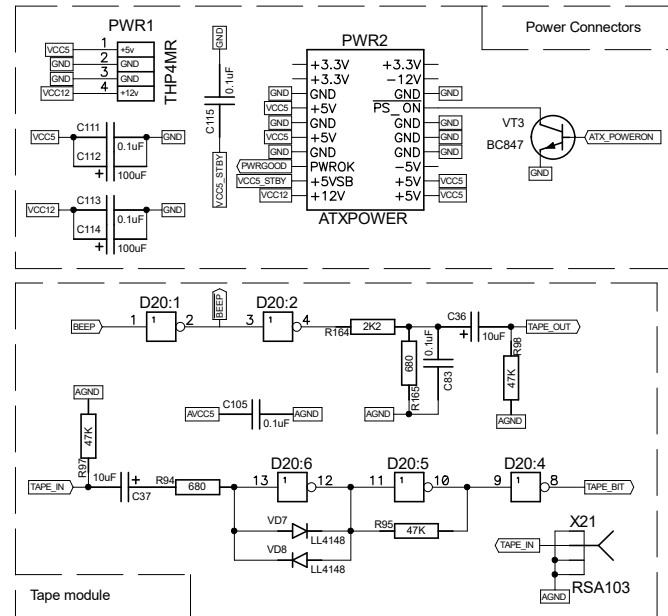
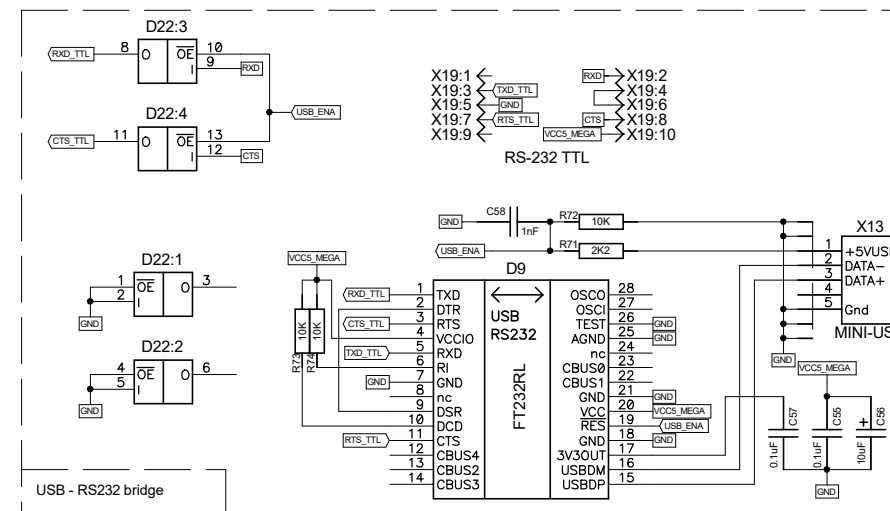
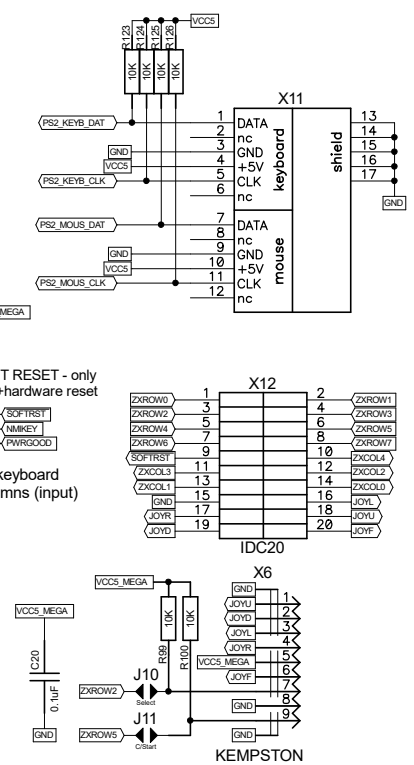
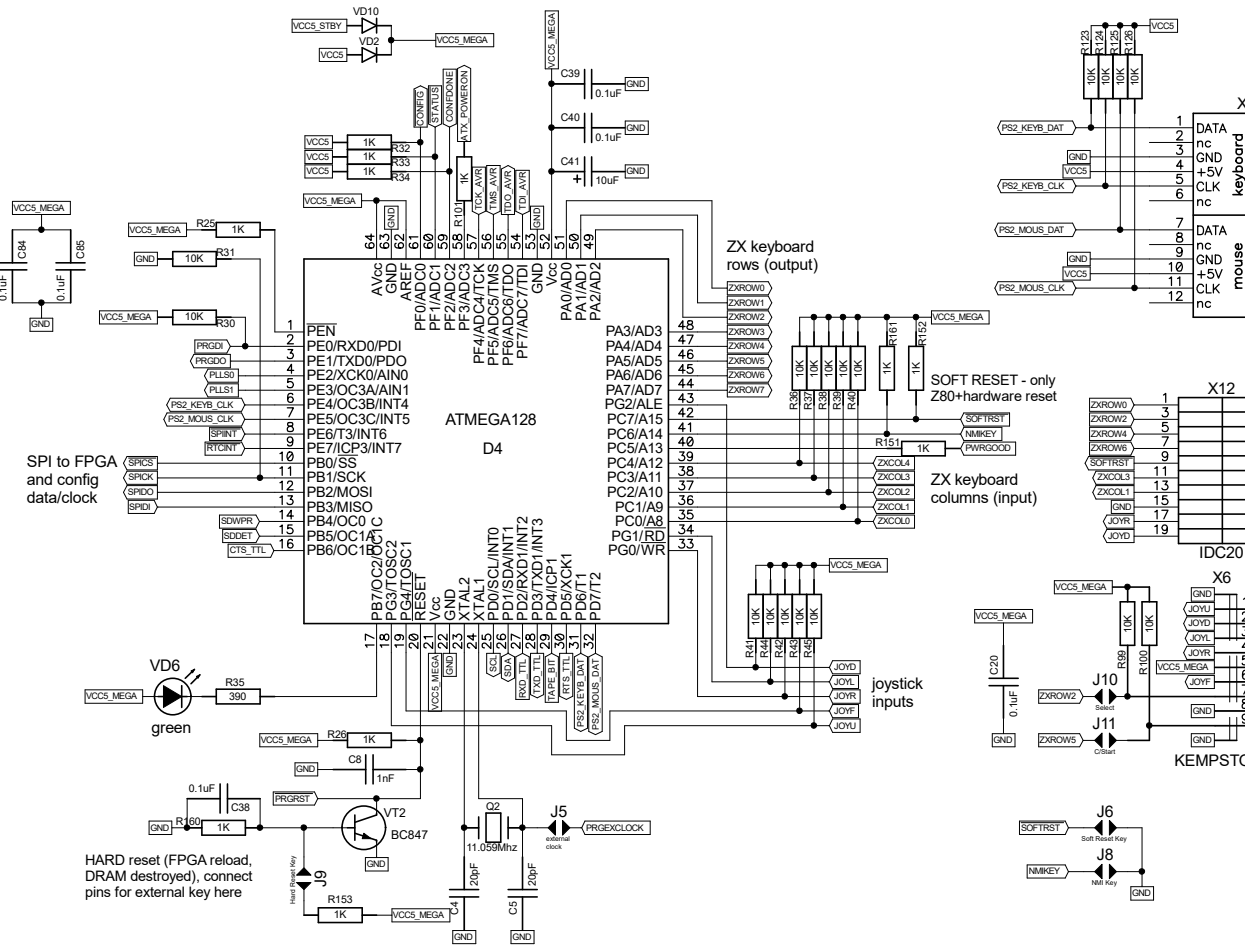
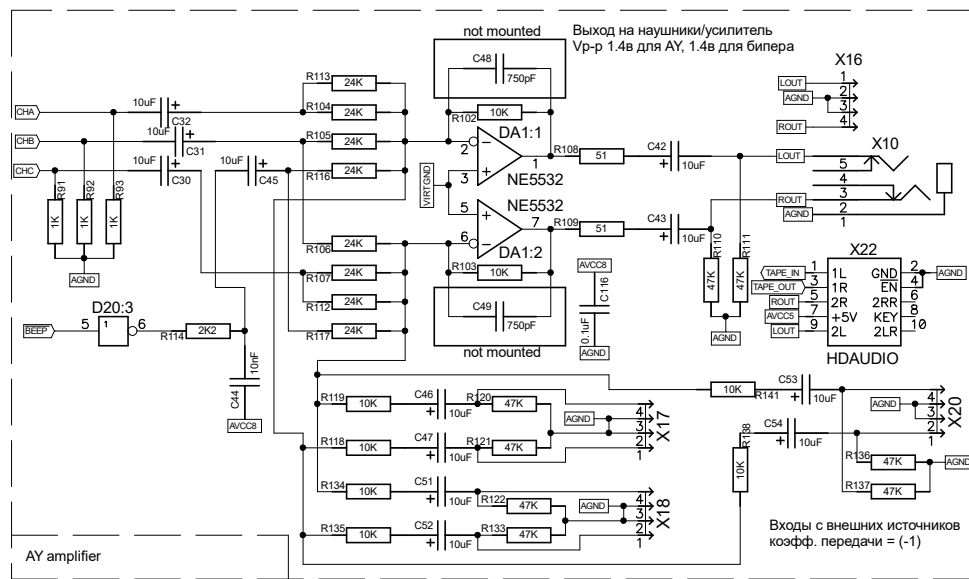
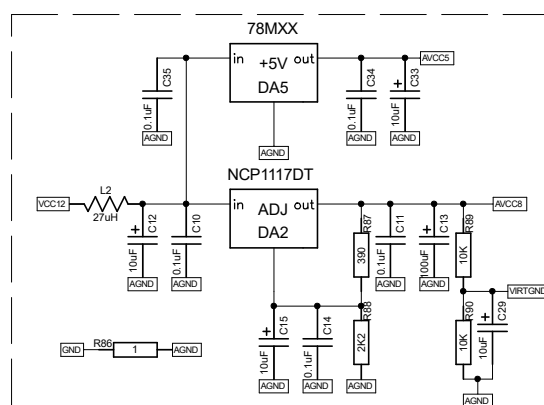
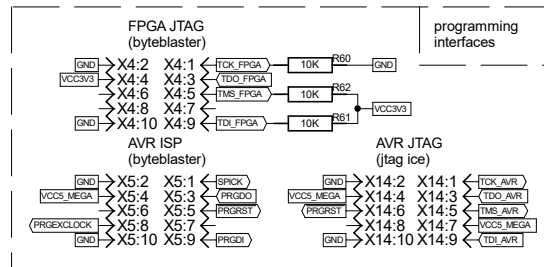
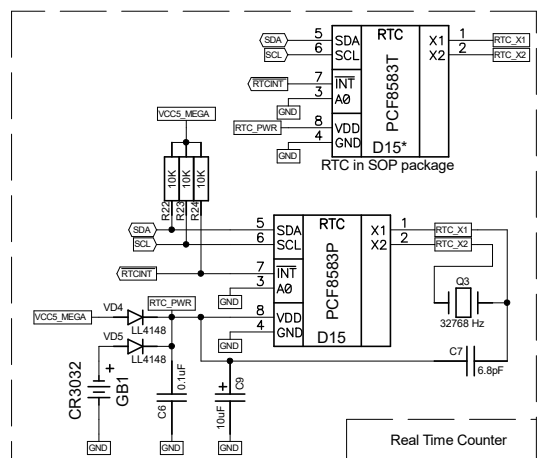
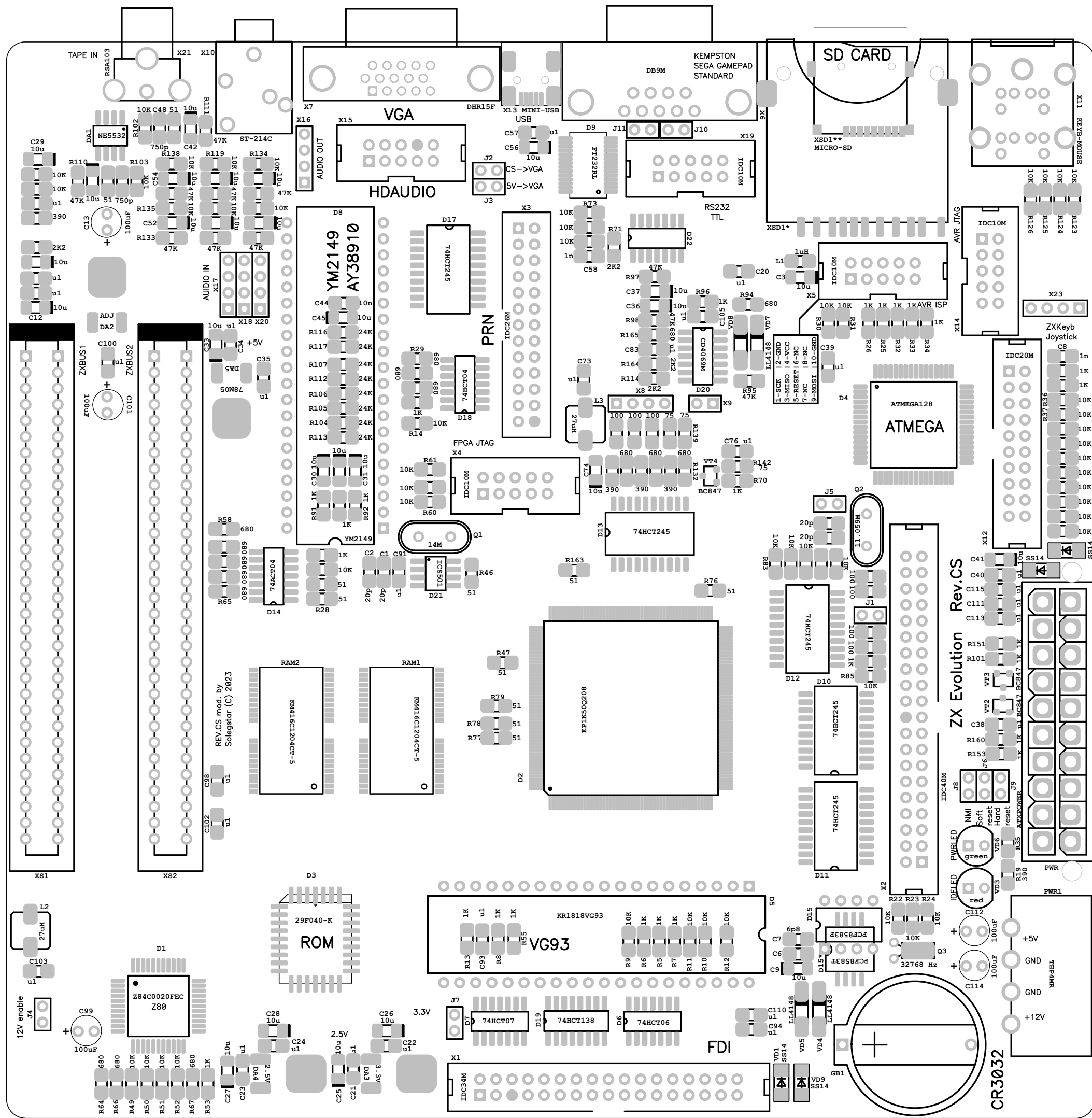


Title	ZX Evolution		
Size	A2	Company	Initial design by NedoPC
Date	Wed Jun 14, 2023	Drawn by	Solegstar
Filename	zxevo_cs.sch		Sheet 1 of 2



Title				ZX Evolution			
Size	Company			Rev			
A2	Initial design by NedoPC			cs			
Date	Wed Jun 14, 2023	Drawn by	Solegstar				
Filename	zxevo_cs.sch		Sheet	2 of 2			



ZX Evolution Rev.CS

CR3032

REV.CS mod. by
Solegstar (C) 2023

SD CARD

ATMEGA

YM2149
AY38910

EPLK500208

VG93

ROM

HDAUDIO

VGA

PRN

FDI

KEMPSTON
SEGA GAMEPAD
STANDARD

USB

MINI-USB

AUDIO OUT

TAPE IN

KEYB-MOUSE

ZXKeyb
Joystick

AVR JTAG

SD CARD

ATMEGA

PRN

FPGA JTAG

SD CARD

ATMEGA

PRN

FPGA JTAG

SD CARD

ATMEGA

PRN

FPGA JTAG

SD CARD

ATMEGA

PRN

FPGA JTAG

SD CARD

ATMEGA

PRN

FPGA JTAG

SD CARD

ATMEGA

PRN

FPGA JTAG

SD CARD

ATMEGA

PRN

FPGA JTAG

SD CARD

ATMEGA

PRN

FPGA JTAG

SD CARD

ATMEGA

PRN

FPGA JTAG

SD CARD

ATMEGA

PRN

FPGA JTAG

SD CARD

ATMEGA

PRN

FPGA JTAG

SD CARD

ATMEGA

PRN

FPGA JTAG

SD CARD

ATMEGA

PRN

FPGA JTAG

SD CARD

ATMEGA

PRN

FPGA JTAG

SD CARD

ATMEGA

PRN

FPGA JTAG

SD CARD

ATMEGA

PRN

FPGA JTAG

SD CARD

ATMEGA

PRN

FPGA JTAG

SD CARD

ATMEGA

PRN

FPGA JTAG

SD CARD

ATMEGA

PRN

FPGA JTAG

SD CARD

ATMEGA

PRN

FPGA JTAG

SD CARD

ATMEGA

PRN

FPGA JTAG

SD CARD

ATMEGA

PRN

FPGA JTAG

SD CARD

ATMEGA

PRN

FPGA JTAG

SD CARD

ATMEGA

PRN

FPGA JTAG

SD CARD

ATMEGA

PRN

FPGA JTAG

SD CARD

ATMEGA

PRN

FPGA JTAG

SD CARD

ATMEGA

PRN

FPGA JTAG

SD CARD

ATMEGA

PRN

FPGA JTAG

SD CARD

ATMEGA

PRN

FPGA JTAG

SD CARD

ATMEGA

PRN

FPGA JTAG

SD CARD

ATMEGA

PRN

FPGA JTAG

SD CARD

ATMEGA

PRN

FPGA JTAG

SD CARD

ATMEGA

PRN

FPGA JTAG

SD CARD

ATMEGA

PRN

FPGA JTAG

SD CARD

ATMEGA

PRN

FPGA JTAG

SD CARD

ATMEGA

PRN

FPGA JTAG

SD CARD

ATMEGA

PRN

FPGA JTAG

SD CARD

ATMEGA

PRN

FPGA JTAG

SD CARD

ATMEGA

PRN

FPGA JTAG

SD CARD

ATMEGA

PRN

FPGA JTAG

SD CARD

ATMEGA

PRN

FPGA JTAG

SD CARD

ATMEGA

PRN

FPGA JTAG

SD CARD

ATMEGA

PRN

FPGA JTAG

SD CARD

ATMEGA

PRN

FPGA JTAG

SD CARD

ATMEGA

PRN

FPGA JTAG

SD CARD

ATMEGA

PRN

FPGA JTAG

SD CARD

ATMEGA

PRN

FPGA JTAG

SD CARD

ATMEGA

PRN

FPGA JTAG

SD CARD

ATMEGA

PRN

FPGA JTAG

SD CARD

ATMEGA

PRN

FPGA JTAG

SD CARD

ATMEGA

PRN

FPGA JTAG

SD CARD

ATMEGA

PRN

FPGA JTAG

SD CARD

ATMEGA

PRN

FPGA JTAG

SD CARD

ATMEGA

PRN

FPGA JTAG

SD CARD

ATMEGA

PRN

FPGA JTAG

SD CARD

ATMEGA

PRN

FPGA JTAG

SD CARD

ATMEGA

PRN

FPGA JTAG

SD CARD

ATMEGA

PRN

FPGA JTAG

SD CARD

ATMEGA

PRN

FPGA JTAG

SD CARD

ATMEGA

PRN

FPGA JTAG

SD CARD

ATMEGA

PRN

FPGA JTAG

SD CARD

ATMEGA

PRN

FPGA JTAG

SD CARD

ATMEGA

PRN

FPGA JTAG

SD CARD

ATMEGA

PRN

FPGA JTAG

SD CARD

ATMEGA

PRN

FPGA JTAG

SD CARD

ATMEGA

PRN

FPGA JTAG

SD CARD

ATMEGA

PRN

FPGA JTAG

</

Перечень элементов ZX-Evolution Revision CS

Элемент на плате	Кол-во	Номинал	Корпус	Аналог	Примечание
Конденсаторы					
C1, C2, C4, C5, C59, C60	6	20pF	C0805		
C6, C10, C11, C14, C20-C24, C34, C35, C38-C40, C50, C55, C57, C69-C71, C73, C76-C98, C100, C102-C111, C113, C115, C116	58	0.1uF	C0805		
C8, C58	2	1nF	C0805		
C7	1	6.8pF	C0805		
C44	1	10nF	C0805		
C48, C49	2	750pF	C0805		
C3, C9, C12, C15, C25-C33, C36, C37, C41-C43, C45-C47, C51-C54, C56, C74	27	10uF	EC-CHIP		Танталовые размер А
C13, C99, C101, C112, C114	5	100uF	EC-CHIPB		Электролитический. 5мм диаметр
Резисторы					
R1-R4, R9-R12, R14, R21-R24, R30, R31, R36-R45, R48-R52, R60-R62, R72-R74, R80-R85, R89, R90, R99, R100, R102, R103, R118, R119, R123-R126, R134, R135, R138, R141	58	10K	R0805		
R5 - R8, R13, R20, R25, R26, R32 - R34, R53 - R55, R69, R70, R91 - R93, R96, R101, R151 - R153, R160, R161	26	1K	R0805		
R104, R105-R107, R112, R113, R116, R117	8	24K	R0805		
R95, R97, R98, R110, R111, R120-R122, R133, R136, R137	11	47K	R0805		
R71, R75, R88, R114, R164	5	2K2	R0805		
R86	1	1	R0805		
R27, R28, R46, R47, R76-R79, R108, R109, R163	11	51	R0805		
R139, R140, R142	3	75	R0805		
R15-R18, R157-R159	7	100	R0805		
R19, R35, R87, R127, R129, R131	6	390	R0805		
R29, R56-R58, R59, R63-R68, R94, R128, R130, R132, R165	16	680	R0805		
Микросхемы					
D1	1	Z84C0020FEC	QFP44X8		
D2	1	EP1K50Q208	PQFP208X5		
D3	1	29F040-K	PLCC32		
D4	1	ATMEGA128	TQFP64X8		
D5	1	KR1818VGG93	DIP40	MB8877	
D6	1	7406	SO14	74F06	
D7	1	7407	SO14	74F07	
D8	1	YM2149	DIP40	AY-38910	
D9	1	FT232RL	SSOP28		
D10-D13, D17	5	74HCT245D	SOL20	74ACT245	
D14	1	74ACT04	SO14		
D15	1	PCF8583P	DIP8	PCF8583T	
D18	1	74HCT04	SO14		
D19	1	74HCT138	SO16	74F138, 74(A)LS138, 74ACT138	
D20	1	CD4069M	SO14	HEF4069	
D21	1	ICSS01	SO8		
D22	1	74HCT125	SO14		
RAM1, RAM2	2	HV5118160	TSOP-2-50	IS41LV16100D, KM416C1204CT-5, GM71C18163CT6	
Диоды					
VD1, VD2, VD9, VD10	4	SS14	SMA		
VD3	1	LED100	LED100 (5mm)	Red	
VD6	1	LED100	LED100 (5mm)	Green	
VD4, VD5, VD7, VD8	4	LL4148	LL4148(SOD80)		
Остальные электронные элементы					
VT2, VT3, VT4	3	BC847	SOT-23		
DA1	1	NE5532	SO8		
DA2	1	NCP1117DT-ADJ	DPAK	LM1117, SP1117, IL1117, K1254	
DA3	1	NCP1117DT-3.3V	DPAK	LM1117, SP1117, IL1117, K1254	
DA4	1	NCP1117DT-2.5V	DPAK	LM1117, SP1117, IL1117, K1254	
DA5	1	78MXX (78M05)	DPAK		
L1	1	1uH	L-CHIP		
L2, L3	2	27uH	CDR64B		
Q1	1	14Mhz	HC49		
Q2	1	11.059Mhz	HC49		
Q3	1	32768 Hz	DT-26T		
Разъёмы, слоты, трекеры, джамперы					
GB1	1	CR3032	CR3032		Слот батареи
PWR1	1	THP_4MR	POWER		
PWR2	1	MF2X10MA	ATXPOWER		
J1-J9	9	PLB1-2	PLB1-2		Jumper (Штырьки 1x2)
X1	1	FLOPPY DRIVE	FDD34M	IDC34	
X2	1	HARD DRIVE	IDE40M		
X3	1	IDC26LPT	IDC26		
X4	1	JTAG FPGA	IDC10M		
X5	1	SPI MEGA	IDC10M		
X15	1	HDAUDIO	IDC10M		
X14	1	JTAG MEGA	IDC10M		
X19	1	COM-PORT	IDC10M		

Перечень элементов ZX-Evolution Revision CS

Элемент на плате	Кол-во	Номинал	Корпус	Аналог	Примечание
X6	1	KEMPSTON	DSUB-9		
X7	1	VGA	DB15VGA		
X8, X16-X18, X20, X23	6	AUDIO IN-OUT	PLB1-4I		Штырьки 1x4
X9	1	PLB1-2	PLB1-2		Штырьки 1x2
X10	1	ST-214C_NEW	ST-214C_NEW		
X11	1	KEYB-MOUSE	MDD-6FR		
X12	1	KEYS&JOY	IDC20		
X21	1	TAPE IN (?)	RSA103		Тюльпан
XS1, XS2	2	SLOT62	ZXSLOT		
XSD1*	1	SD01-AP0003	SD01-AP0003		
XSD1**	1	TFP09-2-12B	TFP09-2-12B		