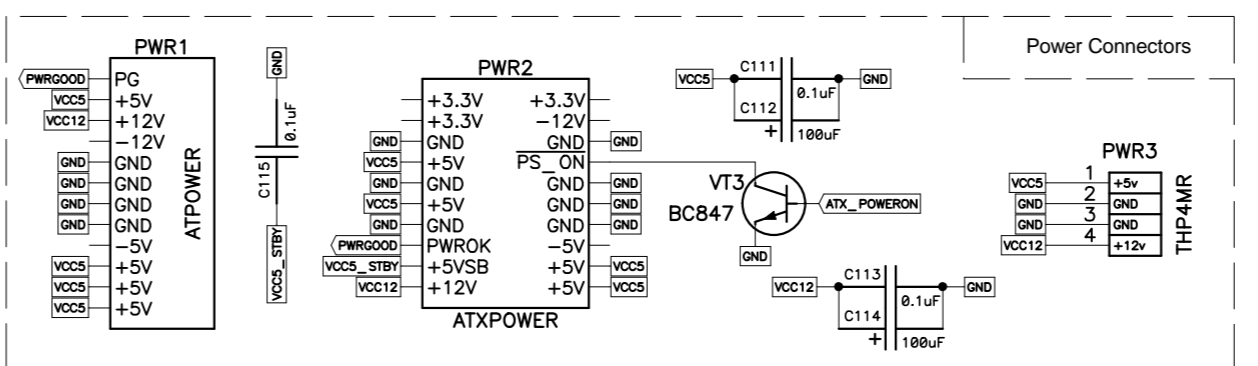
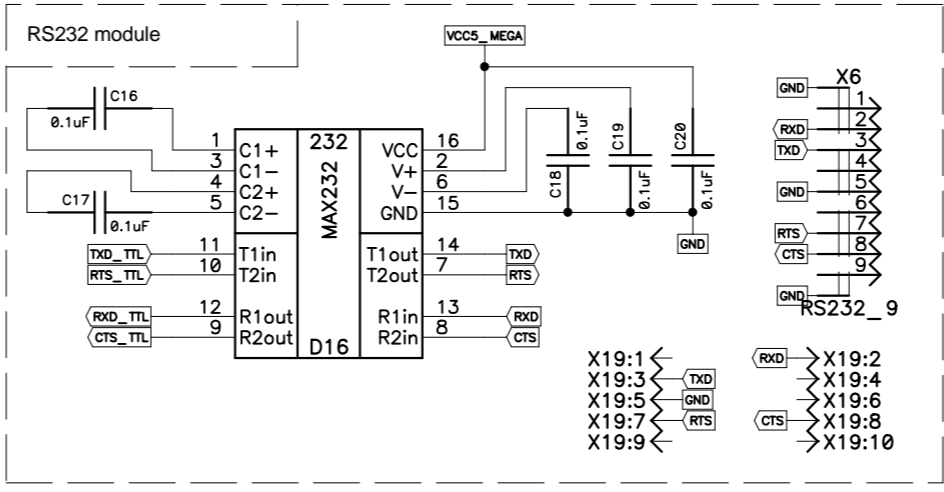
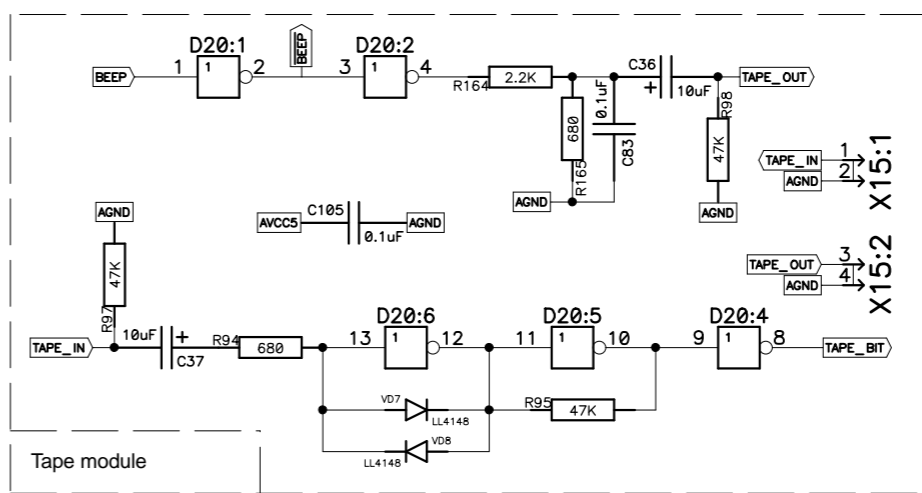
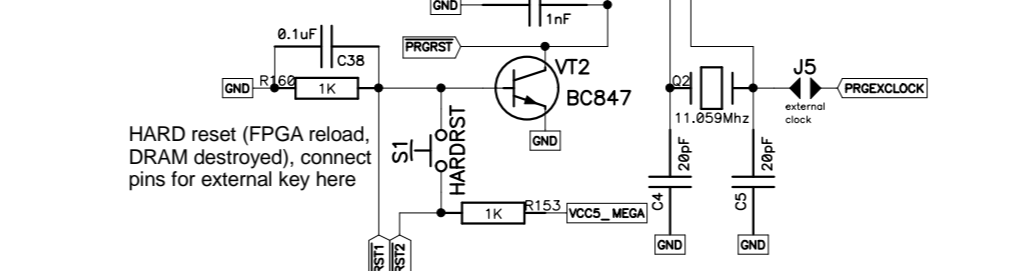
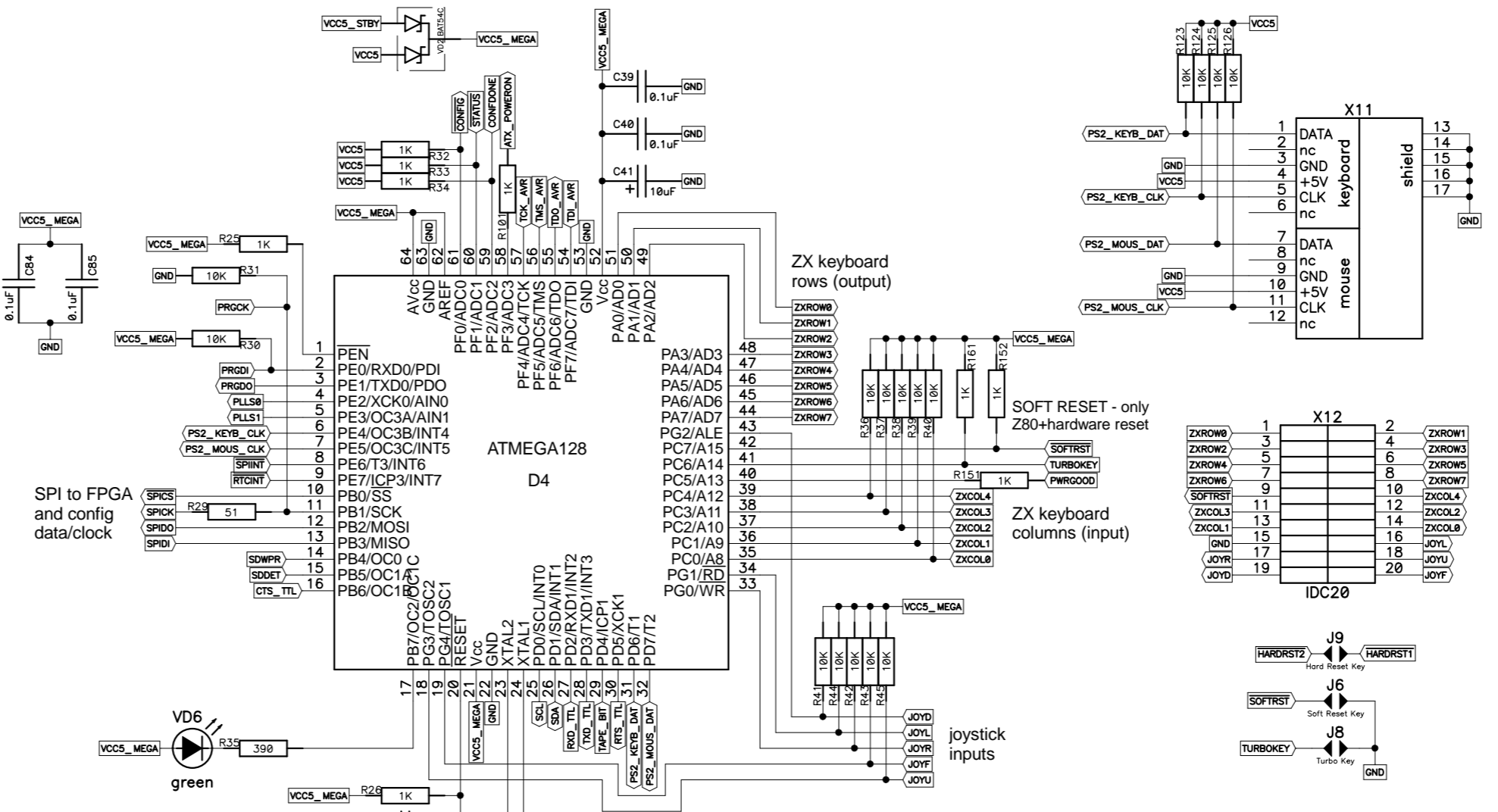
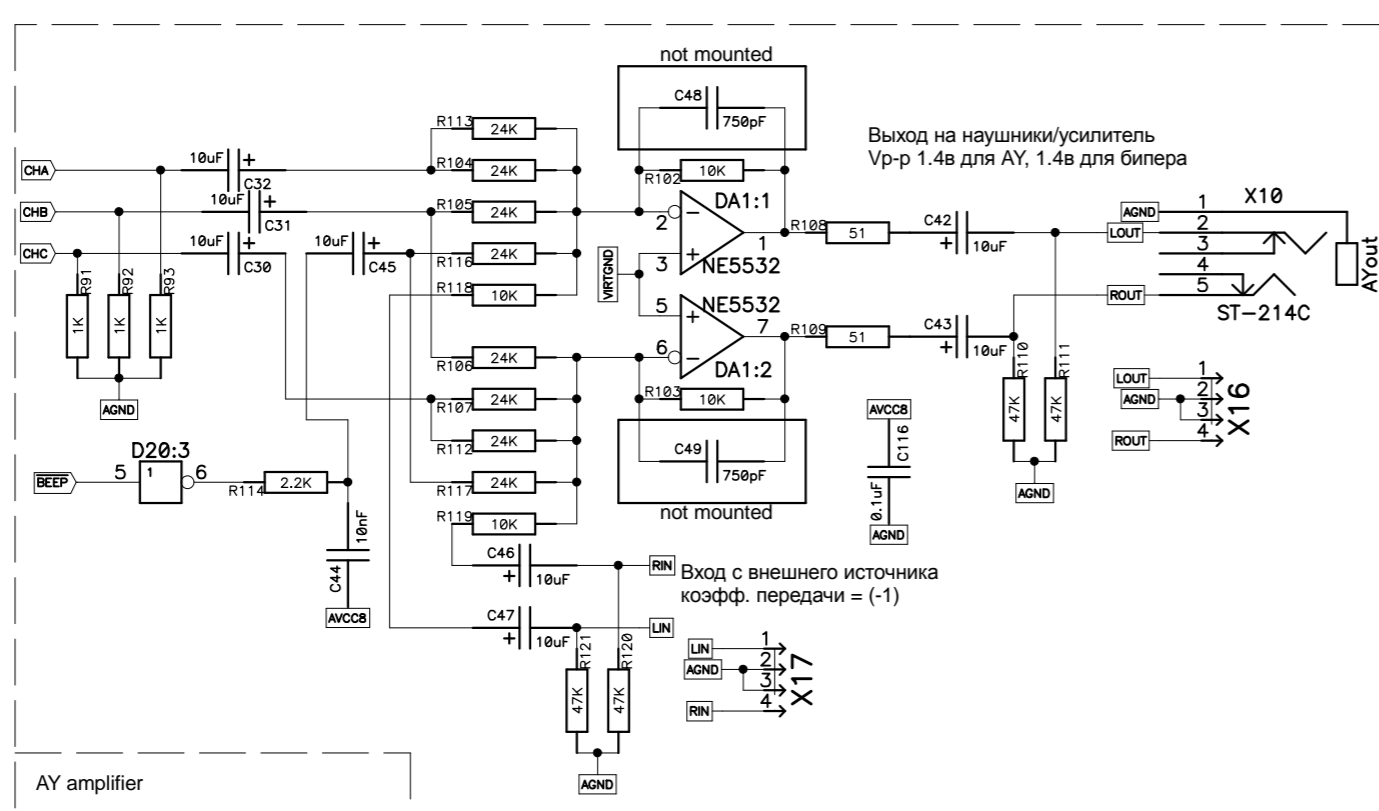
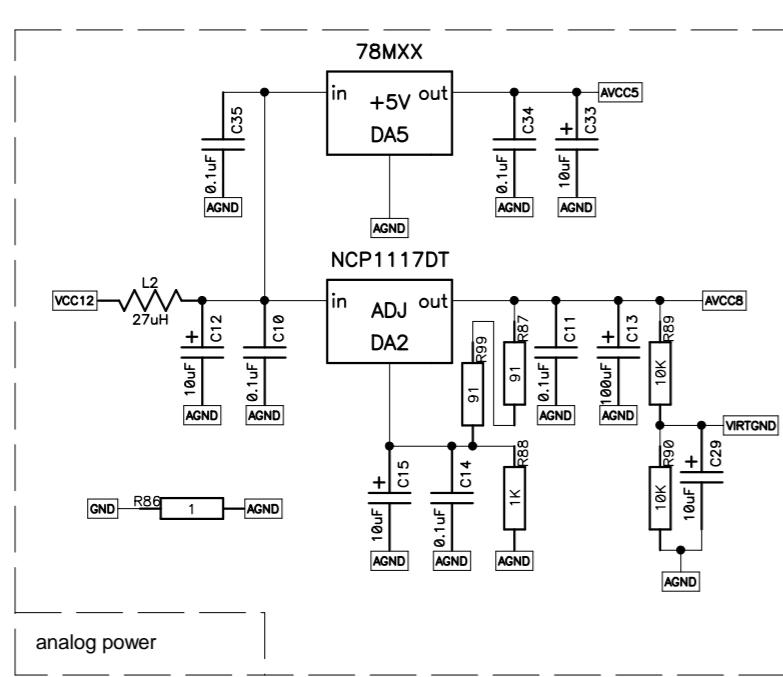
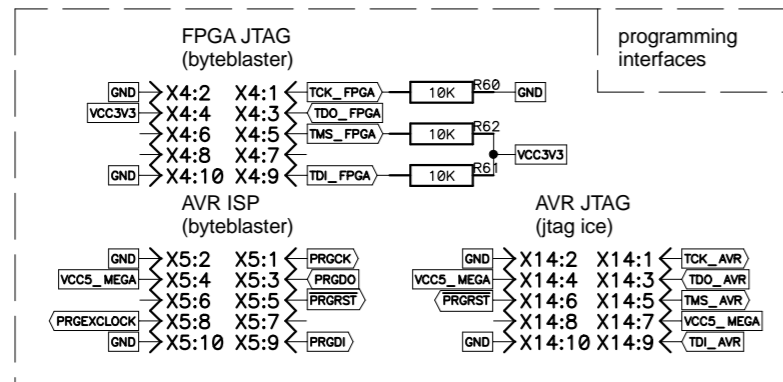
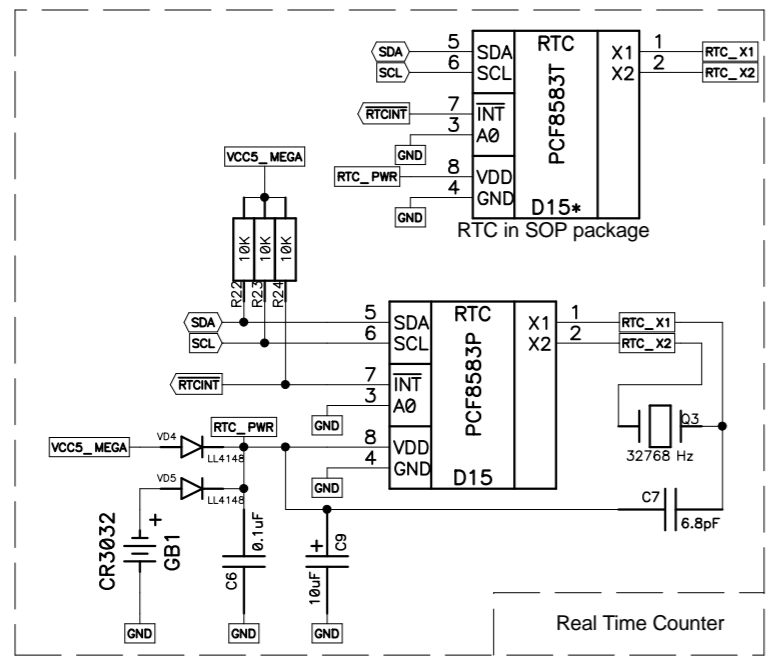
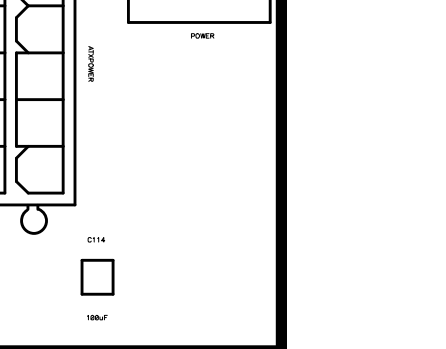
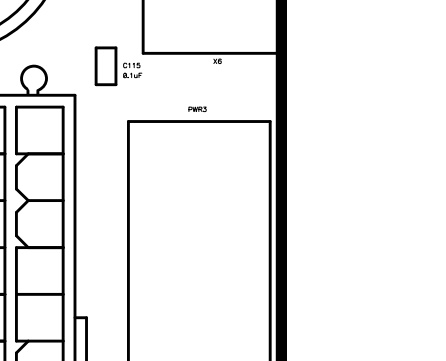
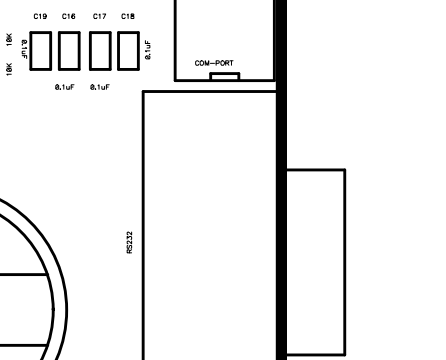
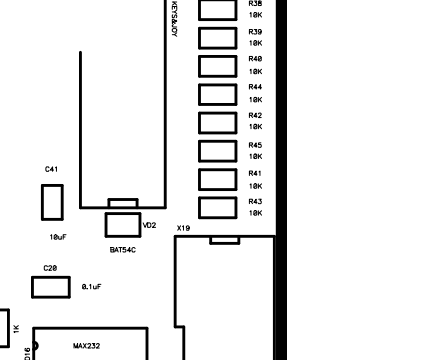
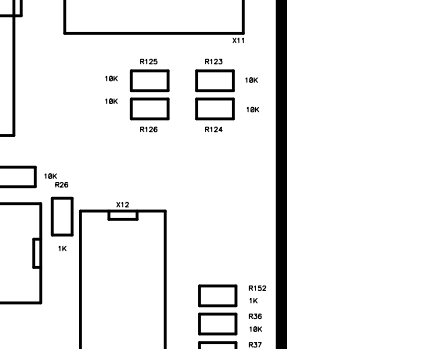
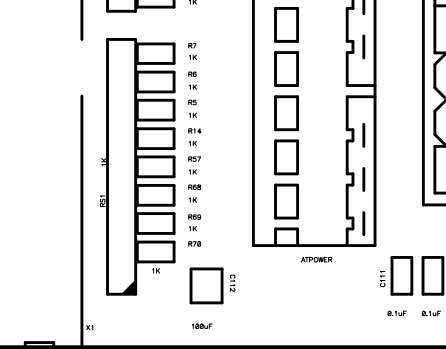
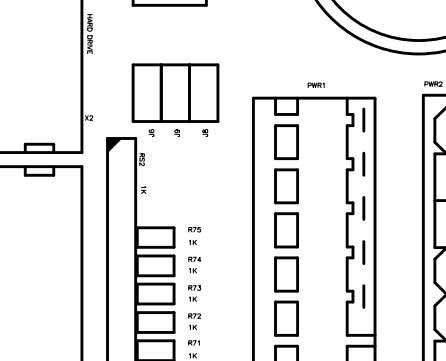
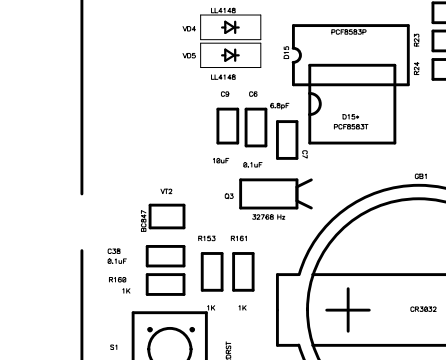
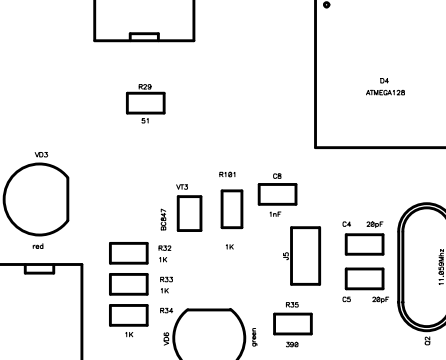
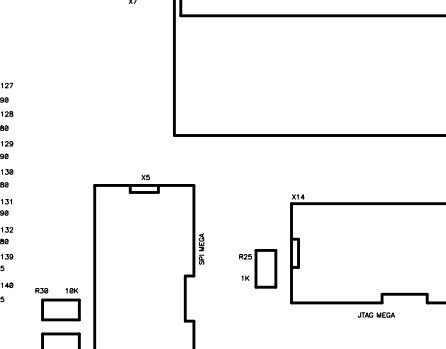
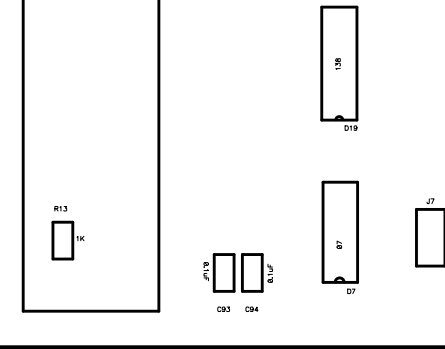
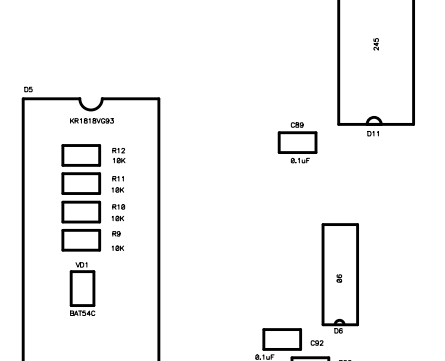
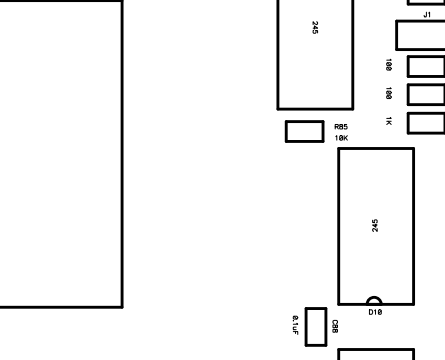
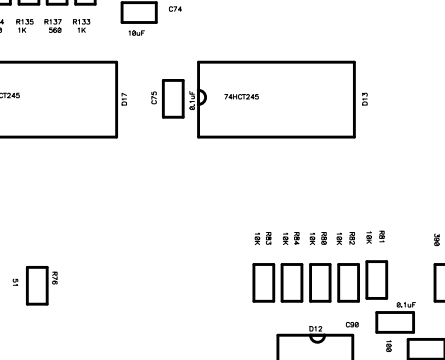
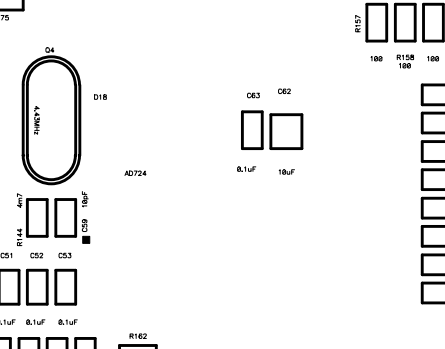
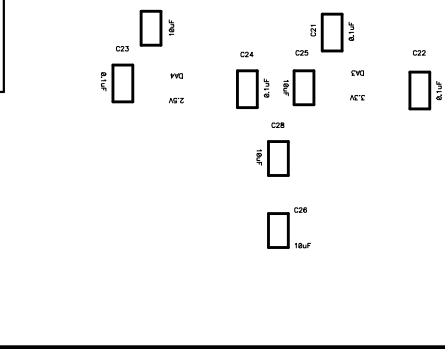
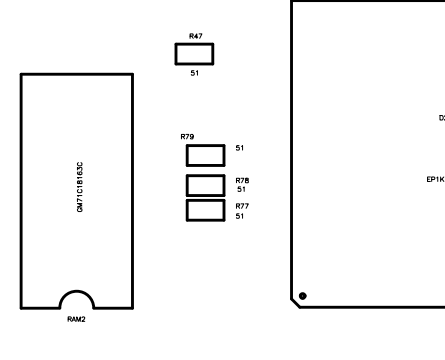
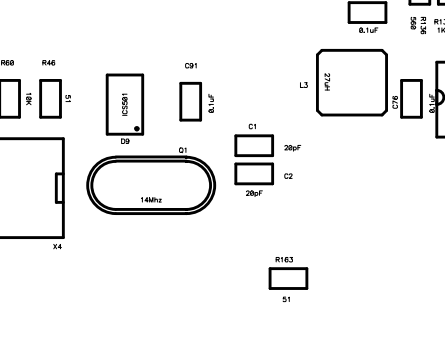
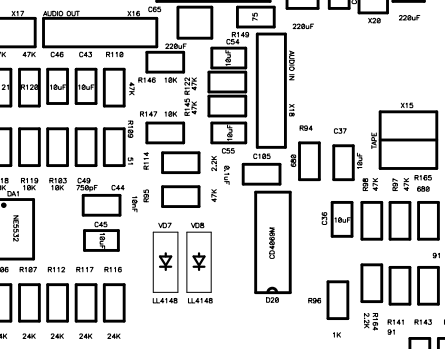
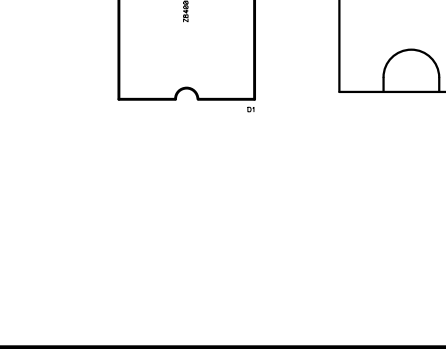
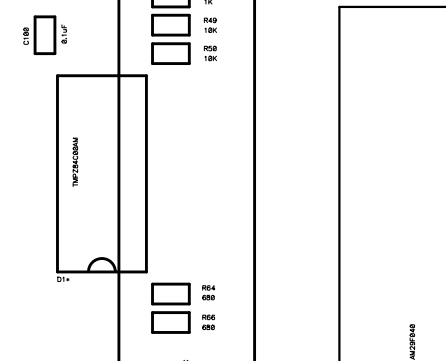
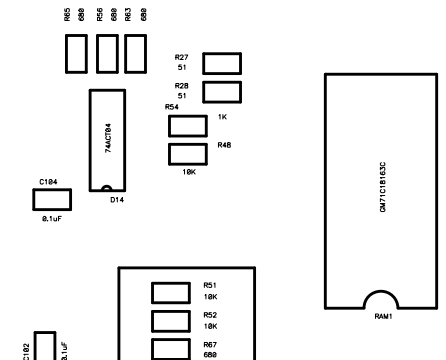
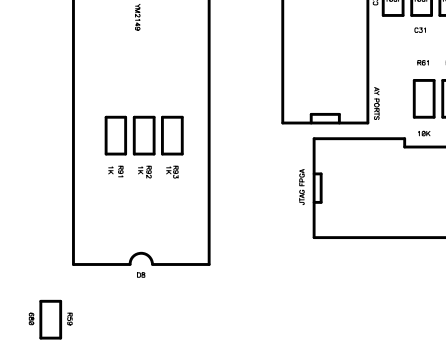
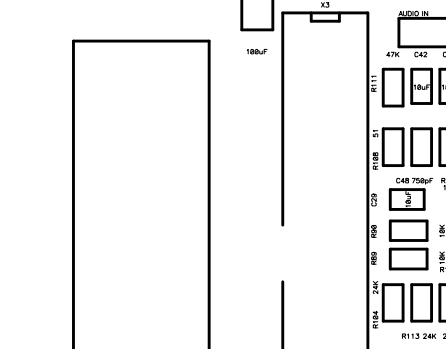
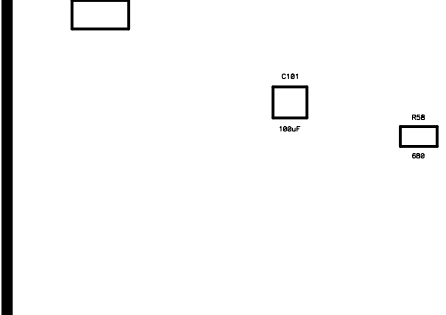
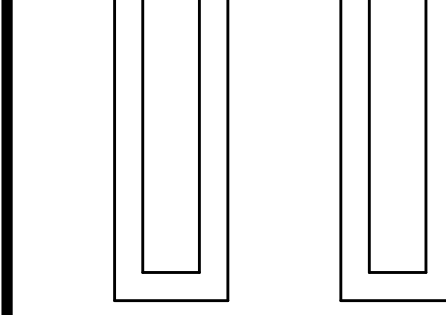
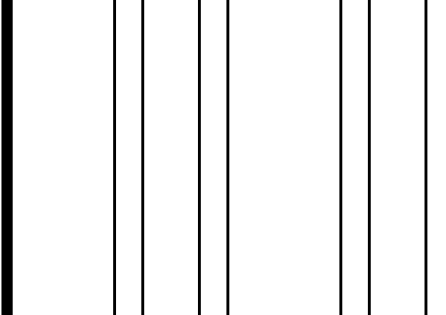
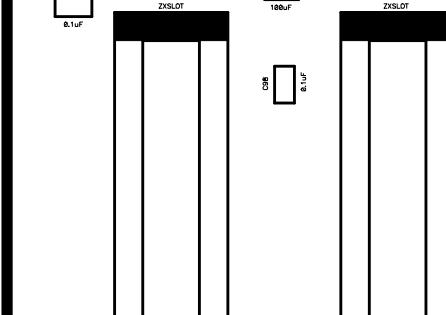
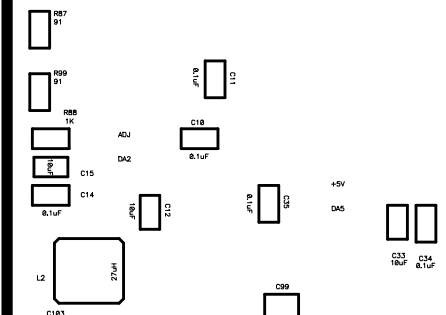
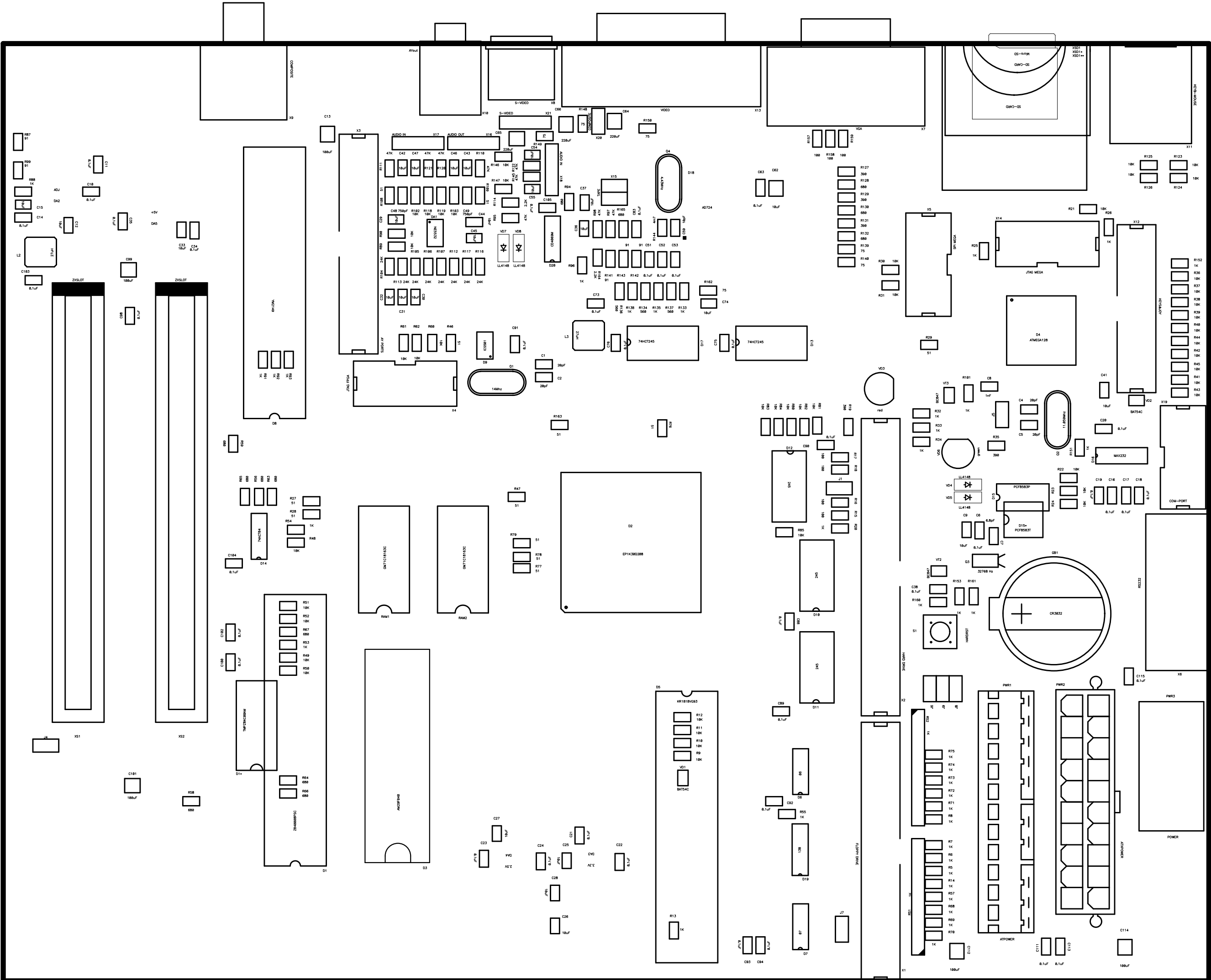


| | | | | | | | |
|----------|------------------|--|----------|--------------|--------|--|--|
| Title | | | | ZX Evolution | | | |
| Size | Company | | Rev | | | | |
| A2 | NedoPC | | B3 | | | | |
| Date | Tue Nov 24, 2020 | | Drawn by | | NedoPC | | |
| Filename | zxevo_b3.SCH | | Sheet | | 1 of 2 | | |



| | | | |
|-----------------------|-----------------|--------|--|
| Title ZX Evolution | | | |
| Size A2 | Company NedoPC | Rev B3 | |
| Date Tue Nov 24, 2020 | Drawn by NedoPC | | |
| Filename zxevo_b3.SCH | Sheet 2 | of 2 | |



Перечень элементов ZX-Evolution Revision B3

| Поз. | Корпус | Номинал | Кол-во | Примечание |
|--|----------|----------------|--------|-------------------------------|
| C1, C2, C4, C5 | C0805 | 20pF | 4 | |
| C13, C99, C101, C112, C114 | EC0805B | 100uF | 5 | |
| C3, C9, C12, C15, C25-C33, C36, C37, C41-C43, C45-C47, C54, C55, C62, C74 | C0805B | 10uF | 25 | |
| C44 | C0805 | 10nF | 1 | |
| C48, C49 | C0805 | 750pF | 2 | |
| C59 | C0805 | 10pF | 1 | |
| C6, C10, C11, C14, C16-C24, C34, C35, C38-C40, C50-C53, C63, C69-C71, C73, C75-C98, C100, C102-C105, C108, C109 | C0805 | 0.1uF | 63 | |
| C64-C66 | EC0805B | 220uF | 3 | |
| C7 | C0805 | 6.8pF | 1 | |
| C8 | C0805 | 1nF | 1 | |
| *C106, *C107 | C0805 | 10-20pF | 2 | установить при сбоях памяти |
| D1 | DIP40 | Z840008PSC | 1 | |
| D1* | SSOP40 | TMPZ84C00AM | 1 | |
| D10-D13, D17 | SOL20 | 74HCT245 | 5 | 74AHCT245, 74ACT245 |
| D14 | SO14 | 74ACT04 | 1 | |
| D15 | DIP8 | PCF8583P | 1 | |
| D15* | PCF8583T | PCF8583T | 1 | |
| D16 | SO16 | MAX232 | 1 | |
| D18 | SOL20 | AD724 | 1 | |
| D19 | SO16 | 74HCT138 | 1 | 74F138, 74(A)LS138, 74ACT138 |
| D2 | PQFP208 | EP1K50QC208-3N | 1 | |
| D20 | SO14 | CD4069M | 1 | HEF4069 |
| D3 | DIP32 | AM29F040 | 1 | |
| D4 | TQFP64 | ATMEGA128 | 1 | |
| D5 | DIP40 | KR1818VG93 | 1 | |
| D6 | SO14 | 7406 | 1 | 74F06 |
| D7 | SO14 | 7407 | 1 | 74F07 |
| D8 | DIP40 | YM2149 | 1 | |
| D9 | SO8 | ICS501 | 1 | |
| DA1 | SO8 | NE5532 | 1 | |
| DA2 | DPAK | NCP1117DT-ADJ | 1 | LM1117, SP1117, IL1117, K1254 |
| DA3 | DPAK | NCP1117DT-3.3 | 1 | LM1117, SP1117, IL1117, K1254 |
| DA4 | DPAK | NCP1117DT-2.5 | 1 | LM1117, SP1117, IL1117, K1254 |
| DA5 | DPAK | 78M05 | 1 | LM1117, SP1117, IL1117, K1254 |
| GB1 | CR3032 | CR3032 | 1 | |
| J1, J4-J9 | PLB1-2 | PLB1-2 | 7 | |
| L1 | L-CHIP | 1uH | 1 | |
| L2, L3 | CDR64B | 27uH | 2 | |
| PWR1 | WF12 | ATPOWER | 1 | |
| PWR2 | MF2X10MA | ATXPOWER | 1 | |
| PWR3 | THP_4MR | POWER | 1 | |
| Q1 | HC49 | 14Mhz | 1 | HC49U |
| Q2 | HC49 | 11.059Mhz | 1 | HC49U |
| Q3 | DT-26T | 32768Hz | 1 | DT-38T |

Перечень элементов ZX-Evolution Revision B3

| Поз. | Корпус | Номинал | Кол-во | Примечание |
|-----------------------------|----------------|--------------|--------|------------------------------|
| Q4 | HC49 | 4.43MHz | 1 | HC49U |
| R117 | R0805 | 24K | 8 | |
| R114, R164 | R0805 | 2.2K | 2 | |
| R134, R136, R137 | R0805 | 560 | 3 | |
| R139, R140, R148-R150, R162 | R0805 | 75 | 6 | |
| R144 | R0805 | 4m7 | 1 | |
| R15-R18, R157-R159 | R0805 | 100 | 7 | |
| R19, R35, R127, R129, R131 | R0805 | 390 | 5 | |
| R31, R36-R45, R48-R52, R60- | R0805 | 10K | 50 | |
| R108, R109, R163 | R0805 | 51 | 12 | |
| R128, R130, R132, R165 | R0805 | 680 | 13 | |
| R26, R32-R34, R53-R55, R57, | R0805 | 1K | 38 | |
| R86 | R0805 | 1 | 1 | |
| R87, R99, R141-R143 | R0805 | 91 | 5 | |
| R120-R122, R145 | R0805 | 47K | 9 | |
| RAM1, RAM2 | TSOP44(50) II | GM71C18163C | 2 | IS41LV16100D, KM416C1204CT-5 |
| RS1, RS2 | RES_SBORKA | 1K | 2 | |
| S1 | ПКН | HARDRST | 1 | |
| VD1, VD2 | SOT-23 | BAT54C | 2 | |
| VD3 | LED100 | LED 5MM | 1 | red |
| VD4, VD5, VD7, VD8 | LL4148(SOD80) | LL4148 | 4 | |
| VD6 | LED100 | LED 5MM | 1 | green |
| VT2, VT3 | SOT-23 | BC847 | 2 | |
| X1 | IDC34 | FLOPPY DRIVE | 1 | |
| X10 | ST-214C | AYout | 1 | |
| X11 | MDD-6FR | KEYB-MOUSE | 1 | |
| X12 | IDC20 | KEYS&JOY | 1 | |
| X13 | DSUB-15F | VIDEO | 1 | |
| X14 | IDC10M | JTAG | 1 | MEGA |
| X15 | PLB2-2 | TAPE | 1 | |
| X16-X18 | PLB1-4I | AUDIO | 3 | IN, OUT |
| X19 | IDC10M | COM-PORT | 1 | |
| X2 | IDE40M | IDE40M | 1 | HARD DRIVE |
| X20 | PLB1-2 | COMPOSITE | 1 | |
| X21 | PLB1-4I | S-VIDEO | 1 | |
| X3 | IDC28 | AY | 1 | PORTS |
| X4 | IDC10M | JTAG | 1 | FPGA |
| X5 | IDC10M | IDC10M | 1 | SPI MEGA |
| X6 | DSUB-9 | RS232 | 1 | |
| X7 | DB15VGA | VGA | 1 | |
| X8 | MDIN4 | S-VIDEO | 1 | |
| X9 | RS-103 | COMPOSITE | 1 | |
| XS1, XS2 | SLOT62 | ZXSLOT | 2 | |
| XSD1 | SDC09W4 | SD-CARD | 1 | |
| XSD1* | SDP-09L-SG-T/R | SD-CARD | 1 | |
| XSD1** | MICRO_SD | Micro-SD | 1 | |